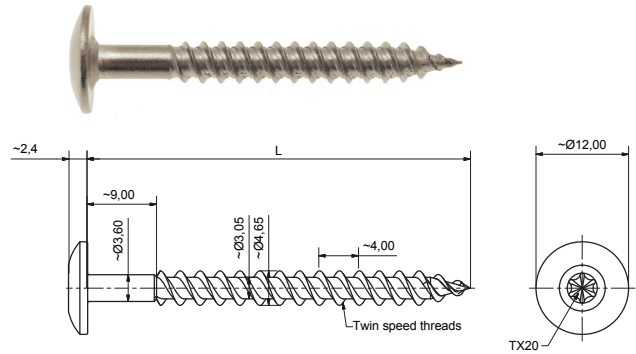


STAINLESS FACADE SCREW

ETX MH RX 4.5 X L TX20

PRODUCT INFORMATION

Product information	
Head:	Ø12.0 mm
Diameter:	Ø4.5 mm
Length (L):	30, 36, 41, 50, 70 mm
Thread length (L1):	L - 9.0 mm
Material:	Stainless steel A2
Corrosivity category:	C4 according to EN ISO 12944-2



Application

4.5X30 Cembrit Cover, Cembrit Solid, Cembrit Transparent

4.5X36 Cembrit Patina design line, Cembrit Construction, Cembrit Rock, Cembrit Cover, Cembrit Solid, Cembrit Transparent

4.5X41 Cembrit Patina design line, Cembrit Construction, Cembrit Rock, Cembrit Plank, Cembrit Cover, Cembrit Solid, Cembrit Transparent

TECHNICAL DATA

Carrying capacity

The carrying capacity is calculated in accordance with the current standards. The tensile capacity, N_{rd} for the connection listed in the table is the pullout value. The head pull through capacity is therefore not taken into account. This value should be considered in the given application.

These theoretical values must be considered indicative since the conditions of the construction site may vary. Practical tests of the specific application are recommended for verification of the listed values.

Tensile capacity, N_{rd} [kN]					
t \ L	30	36	41	50	70
6.0	0,72	0,92	1,09	1,40	2,08
7.0	0,72	0,92	1,09	1,40	2,08
8.0	0,72	0,92	1,09	1,40	2,08
9.0	0,72	0,92	1,09	1,40	2,08
10.0	0,68	0,89	1,06	1,36	2,05
11.0	0,65	0,85	1,02	1,33	2,01
12.0	0,61	0,82	0,99	1,30	1,98

Assumptions:

Supporting object: Structural timber, C24
 Density, $\rho_k = 350 \text{ kg/m}^3$
 Withdrawal parameter, $f_{ax,k} = 11 \text{ MPa}$

Fixed object: Claddings

L = Length of the screw [mm]
 t = Thickness of the fixed object [mm]

All carrying capacities are in kN (1 kN \approx 100 kg)

Safety factor: $\gamma_M = 1.35$ and $k_{mod} = 0.9$